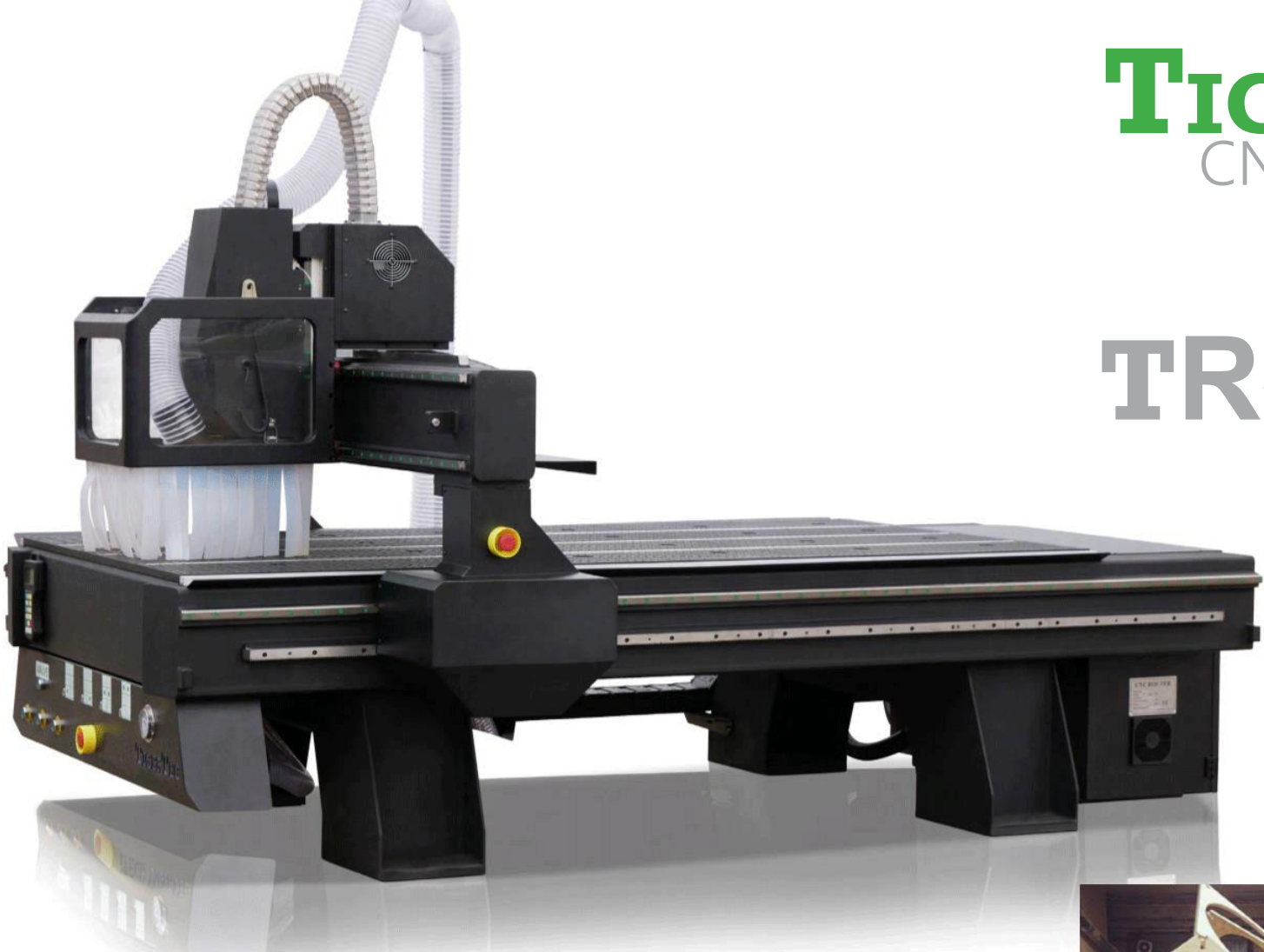


# TIGERTEC

CNC excellence

# TR408AD



**HSD**  
MECHATRONIC  
SOLUTIONS

**Vetric**  
PASSIONATE ABOUT CNC

A compact 8x4 CNC router with HSD router head - ideal for van conversions, cutting applications, supplied complete with the latest version of Vetric VCarve Pro software



# TIGERTEC

CNC excellence



**Strength**

an 8mm thick monoblock base and splayed legs for optimum stability, makes the TigerTec a class leader and will provide many years accurate routing production

The non ATC 408 weighs over 1650kg  
Heavier and more rigid than competitors



**Multifunction table**

TigerTec heavy multifunction worktables are prepared for mechanical clamping or vacuum working with separate work zones and a choice of Becker vacuum pumps



**HSD spindle: quality power reliability precision**

all TigerTec CNC routers are fitted with Italian HSD router spindles which are proven, renowned and reliable, serviceable the world over and easy to replace should the unforeseen catastrophic happen

This manual tool change machine has a continuously rated 6.0 kw [S1] electrospindle which can peak 40% of the time at 7.2 kw [S6 - 9.78 hp] - you have plenty of power on tap



**Quality mechanical parts**

including precision rack and pinion drive. The heavy duty fully enclosed energy chain prevents ingress of chips and dust reducing wear.



**Quality control components**

Siemens contactors with a robust and reliable, traceable, numbered wiring scheme gives you long term peace of mind



**Easy to control**

the easy to use NK105 hand held control keeps you informed and the mobile control at your finger tips



The TigerTec TR408AD 8x4 Flat Table CNC router is designed for modern workshops with flexibility in mind. They are ideal for all manner of industries needing CNC speed and accuracy. The TigerTec is set apart from other machines at this level using top quality components, manufacture, coupled with the latest version Vectric VCarve Pro software makes this an unbeatable package.

The heart of the machine is an Italian HSD [part of Biesse] router head which can peak at 9.78 hp [S6]. Control is with an easy to use DSP hand-held mobile . The controller is user-friendly for easy installation and training. Each command is very easy to read, understand, and execute.

We supply the machine complete with a the latest version of Vectric V-Carve Pro, easy to use and program, it is supplied with lots of clipart and can import common file formats [DXF, DWG, AI, EPS]

VCarve includes the functionality demanded for complex work while remaining incredibly easy to use. The software is used by cabinet makers, wood workers, sign makers, prop makers, plastic fabricators, and in many other applications

We can provide training inhouse in our factory or we can offer on site training and installation.

The multifunction table is prepared for mechanical clamping as standard and is prepared with a multi-zone vacuum system for the optional vacuum pump.

All TigerTec machines are built on a heavy 8mm thick steel base that is rectified, stress relieved, then machined and ground as one piece giving unprecedented repeatability and accuracy at this price level.

The steel gantry is reinforced throughout, it is then heat treated and anealed which results in class leading accuracy. The quality control, engineering and build results in smooth, clean precision machining centre.

Applications :

Van conversions, Perspex cutting, Display work, General Woodworking, Furniture, Shopfitting, Scenery production, Signmaking, 2D and 3D Carving in woods, metals solid surface and plastics

About TigerTec

TigerTec are a Sino-American joint venture and one of the leading manufacturers in the field for compact CNC Routers manufacturing for other well

# TIGERTEC

CNC excellence

known European and American companies. All components used are from quality renowned suppliers..

Class leading features:

HSD Router head

Siemens contactors

Delta inverter

Centralised lubrication

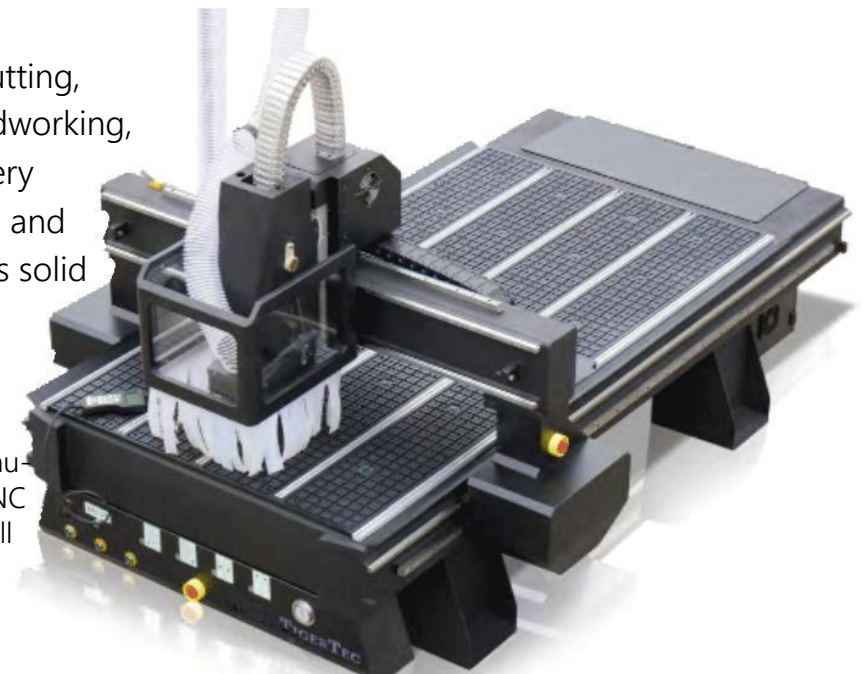
Rack & Pinion drive

HiWin HG20 linear guides for 3 axes

Multifunction table for nesting or clamps

Fully enclosed cable track

Latest full version of Vectric VCarve Pro software





Integrated tool sensor  
allows you to set exact tool length  
when changing tools.

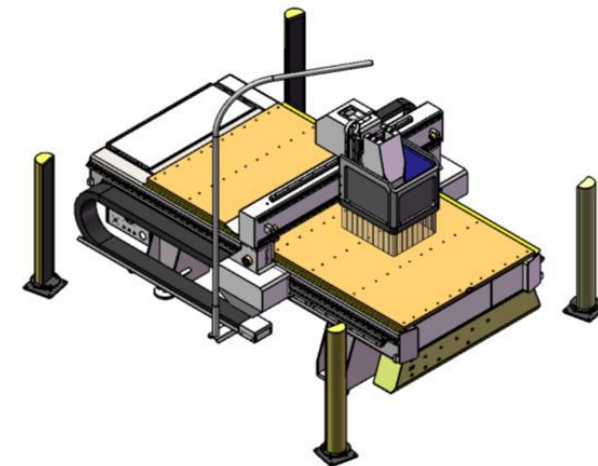
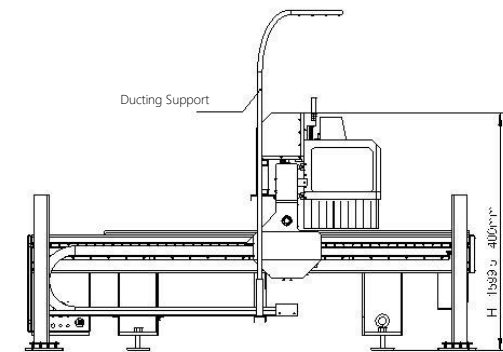
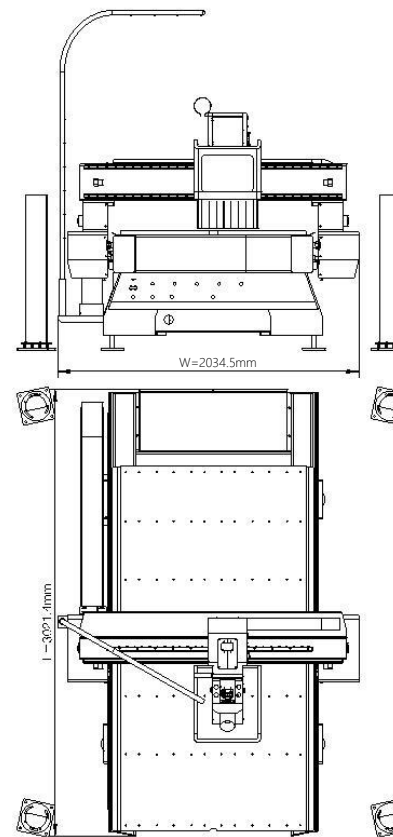
# TIGERTEC

CNC excellence

## TR408AD

### Technical Specification:

Working area:	1300 x 2500 mm
Z Axis	200 mm
Max cutting speed:	20m/min
Max moving speed:	45m/min
Control	DSP NK105 G2
Drive	Synchronous step- pers, with planetary reducer
Transmission	Rack pinion
Router head	6.0 Kw [S1] HSD
Max speed	18000 rpm
Collet size	ER32
Table	Multifunction
Vacuum pump	Optional
Weight:	1750kg



imevi

Encuétranos en:



- f Imevi
- @imeviecuador
- www.imevi.com.ec